

R00100™

PRE-MADE POUCH
FILL & SEAL
MACHINE

- ▶ **SAVE TIME**
CHANGEOVER IN LESS THAN 30 SECONDS
- ▶ **SAVE FLOOR-SPACE**
MOST COMPACT FOOTPRINT ON THE MARKET
- ▶ **SAVE MONEY**
AFFORDABLE AND SCALABLE



ROO100™

HOW IT WORKS.

CONTROL STATION

Custom recipe presets allow for fast 30-second push-button changeovers.

POUCH MAGAZINE

Stacks of pouches are placed in magazine cells without the need for pouch shingling. Auto-adjustable guides ensure precise loading position.

POUCH SETUP & GRIP

Pouch is transferred from the magazine to the carrier track and secured between two grippers.

OPENING STATION

Vacuum suction cups pre-open the seal and the body of the pouch. The pouch is now primed for filling.

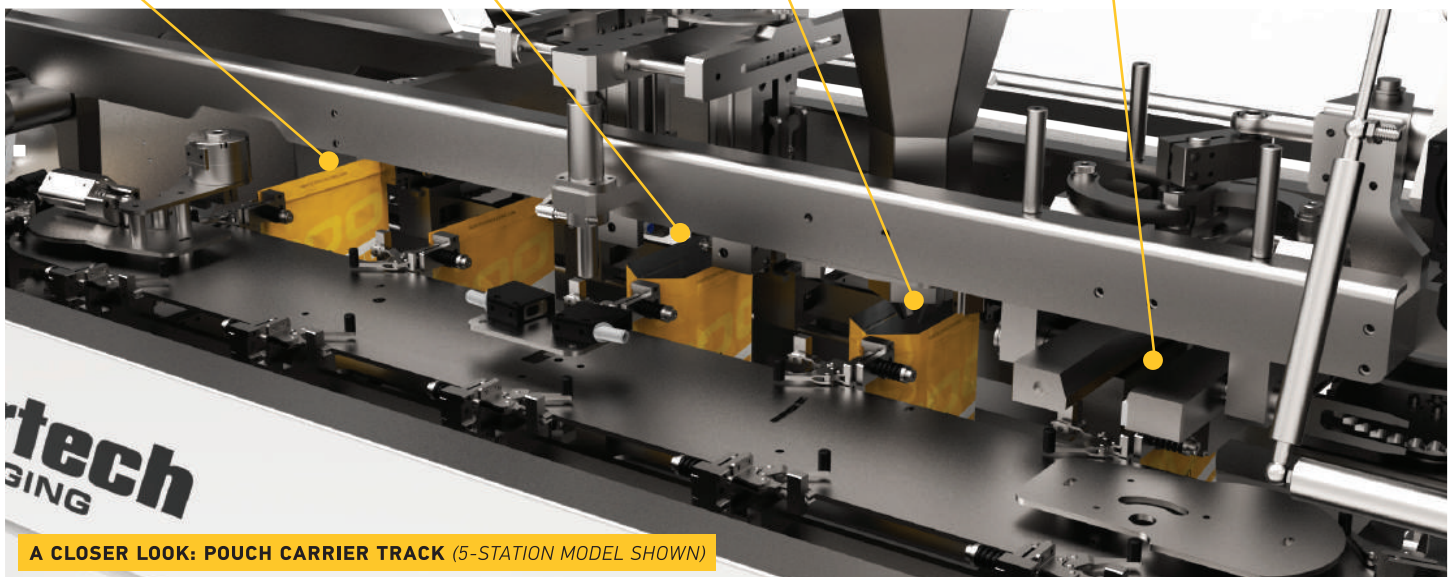
FILLING STATION

Your product fills the pouch. The ROO-100 is easily integrated with any standard infeed/dosing system.

* see page 3 for more infeed details.

SEALING STATION & DISCHARGE

The pouch is tightly sealed with a hot bar, discharged, and ready for further processing.



A CLOSER LOOK: POUCH CARRIER TRACK (5-STATION MODEL SHOWN)

CONTACT

847.884.1805

info@nortechpackaging.com

NORTECH PACKAGING
NORTECHPACKAGING.COM



KEY FEATURES

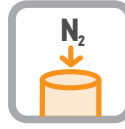
▶ MACHINE OPTIONS. The R00-100 can feature:

WASHDOWN



Machine can feature washdown structure with Nema 4x enclosures, so you can clean the machine with a spray of water without worrying about electrical components or rust.

NITROGEN GAS FLUSHING



Fills the pouch with nitrogen right before sealing the pouch. Nitrogen (unlike oxygen) keeps your product fresh.

DUST SHROUDER



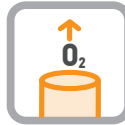
Remove excess dust generated during filling stage. For non-free-flowing products.

BOTTOM POUCH SUPPORT



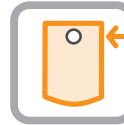
Conveyor system provides additional support for heavier pouches, relieving pressure on the grippers.

POUCH DEFLATOR



Eliminates excessive air from the pouch.

HOLE PUNCH/DIE CUT



Punches or cuts a hang hole after pouch sealing.

CODE/DATE PRINTER



Prints a code/date on the pouch. Includes camera verification.

VIBRATORY SETTLER



Provides improved product settling inside the pouch.

SEAL COOLER



Cools the area of the pouch that is heated by sealing.

▶ PRODUCT INFEED OPTIONS. The R00-100 can be integrated with standard filling/dosing systems:

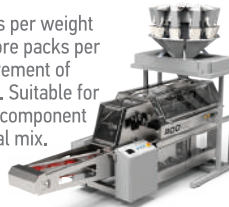
AUGER FILLER

Suitable for non free flowing products and products that generate dust like coffee, flour and other similar powders.



MULTIHEAD WEIGHER/SCALE

Allows more packs per weight of product, and more packs per shift due to improvement of weighing accuracy. Suitable for complex, multiple component products like cereal mix.



ROBOTIC INTEGRATION

Recommended for sensitive and fragile products that demand delicate handling, like electronics, or glass.



VOLUMETRIC CUP FILLER

Recommended for free-flowing solids like rice, candies or frozen peas or powders that don't generate dust.



VIBRATORY COUNTER/FILLER

Suitable for packaging application where measuring precision and accuracy are crucial and for products that are uneven, such as wafers, grains, and nuts.



HIGH-SPEED CONVEYOR

Recommend for transferring products from one location to another quickly.



▶ UP/DOWNSTREAM OPTIONS. The R00-100 can be enhanced with a variety of external components for a Full-line integration:

LABELER

Automatically apply labels to pouches and/or cases.

CASE PACKER

Pack pouches in a variety of case/boxes

PALLETIZER

Stack ready-to-ship pallets. Robotic and traditional palletizer are available.

CHECKWEIGHER

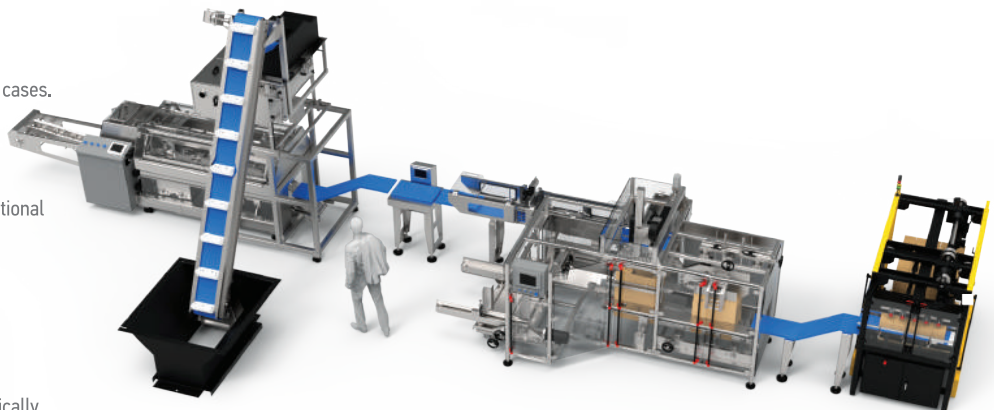
Improve weight control and verification.

METAL DETECTOR

Detect all unwanted metal particles.

REJECT STATION

Discover and remove scrap pouches automatically.



ROO100™



MODELS

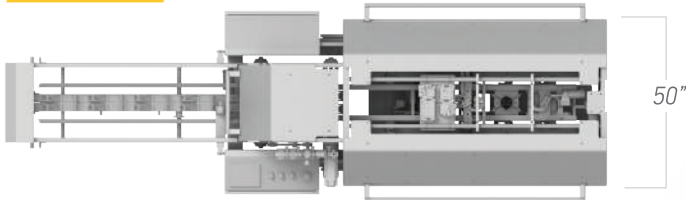
ROO-100-5

5-STATION BASE MODEL

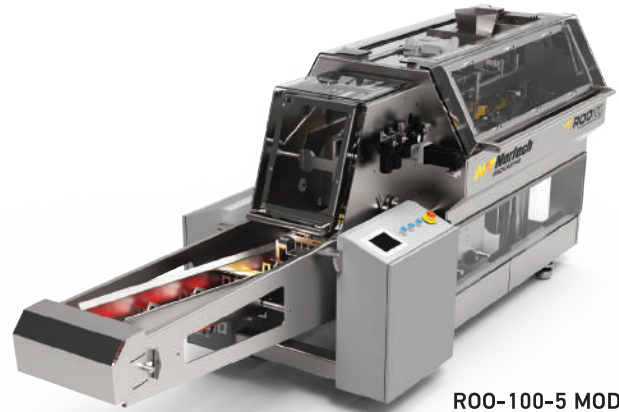
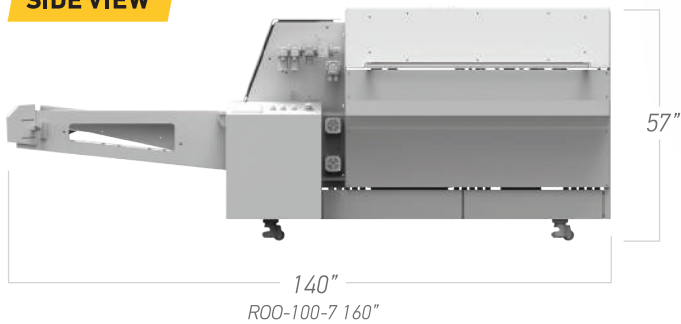
ROO-100-7

7-STATION EXTENDED MODEL

TOP VIEW



SIDE VIEW



TECHNICAL SPECIFICATION

MACHINE PITCH	10"
SPEED	MAXIMUM SPEED DEPENDING ON PRODUCT AND POUCH SIZE 40 PPM
DIMENSIONS (ROO-100-5)	LENGTH 140" WIDTH 50" HEIGHT 57"
DIMENSIONS (ROO-100-7)	LENGTH 160" WIDTH 54" HEIGHT 57"
POUCH SIZE RANGE	WIDTH 4-16" HEIGHT 6-21" GUSSET 0-6"
CONTROLS	A. B. Compact Logic, A. B. PanelView HMI
SERVOS AND MOTORS	ALLEN BRADLEY
INPUT VOLTAGE	240-480 V
INPUT AIR	70-90 PSI



THE NORTECH GUARANTEE

All Nortech Packaging Machines Come Standard With:

- ✓ Fast Delivery and Global Service Support
- ✓ Detailed Manuals and Documentation
- ✓ Complete Spare Parts Support